
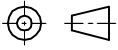


SOURCE DRAWING - FOR REFERENCE ONLY

RELATED DOCUMENTS		3RD ANGLE PROJECTION		THIS DRAWING IS CONFIDENTIAL AND THE PROPERTY OF TURCK INC. USE OF THIS DOCUMENT WITHOUT WRITTEN PERMISSION IS PROHIBITED.		 3000 CAMPUS DRIVE MINNEAPOLIS, MN 55441 1-800-544-7769 (763) 553-7300 (763) 553-0708 fax www.turck.us	
1.				DRFT IK		DATE 08/30/00	
2.				DSGN MH		SCALE 1 = 1.0	
3.		ALL DIMENSIONS DISPLAYED ON THIS DRAWING ARE FOR REFERENCE ONLY CONTACT TURCK FOR MORE INFORMATION		UNIT OF MEASUREMENT INCH [MILLIMETER]		DESCRIPTION	
4.						N1/2-G1/2-BT	
MATERIAL		BRASS		IDENTIFICATION NO.		REV	
FINISH				A6050		A	
A DRAWING RELEASE		RDS 02/20/07		DO NOT SCALE THIS DRAWING		FILE: A6050	
REV DESCRIPTION		BY DATE ECO NO.				SHEET 1 OF 1	

A	DRAWING RELEASE	RDS	02/20/07	
REV	DESCRIPTION	BY	DATE	ECO NO.